

*Universal*

# Electrical Surgical Tables

NOT-5600 Series



## Specifications

MODEL	5600	5600S	5600SK	5600SK+TED-07	5600S+TED-07
Tabletop Length (w/ Extendable head Rest)			1,950 mm		
Tabletop Width (w/o Side Rails)			500 mm		
Tabletop Height (Up/Down, w/o Pad)	710~1,015 mm		760~1,070 mm		
Head Rest (Up/Down)			60° / 90°		
Back Plate (Up/Down)			80° / 40°		
Leg Plates (Up/Down) & Horizontal Positioning			15° / 90°, Horizontal 0°~90°		
Trendelenburg/Reverse Trendelenburg			26° / 26°		
Lateral Tilt (Left/Right)			21° / 21°		
Flex/Reflex			220° / 100°		
Tabletop Longitudinal Slide	NA			300 mm	
Kidney Bridge Elevation	NA		121 mm		NA
Adjustable Range of TED-07 Extension Device	NA		1,050~1,630 mm		
Leg Traction Stroke	NA		225 mm		
Patient Weight			150 kg		

- Specification and functions are subject to change without prior notice.
- The tables shown are with optional accessories, please see the last page.

- NA: not available.

## Accessories

### Standard Accessories

- Pad, 1 set, with non-electrical conductive fabrics.
- Arm Board, 2 pieces, with integral quick disconnect side rail clamp design to facilitate installation and removal.
- Hand Control, 1 set.

### Arm Support Accessories (option)

- Raised Arm Rest\*
- Microscopic Operating Frame for Hand.
- Left Wrist-side Gripping Handle.\*
- Right Wrist-side Gripping Handle.\*
- Head, Shoulder & Arm Rest for Lateral Positioning.
- Wristlet.

### Body Support Accessories (option)

- Lateral Support\*\*
- Shoulder Support\*\*
- Rectal Positioning Support.

### Leg Support & Urology Accessories (option)

- Leg Crutches\*
- Lithotomy Holder\*
- Right Foot Rest\*\*
- Left Foot Rest\*\*
- Knee Rest\*\*\*
- Urology Drain Tray & Bucket Set for for 5600.
- Urology Drain Tray & Bucket Set for for 5600S / SK / SE
- Urology Drain Tray & Bucket Set for for 5600S+TED-07/SK+TED-07

### Neurology Accessories (option)

- General Purpose U-Type Rest.
- Special Clamp, for fixing Mayfield Skull Clamp on traction device of 5600SF/SKF surgical tables for neck traction.
- Neuro Adaptor, for Mayfield head Rest.
- Wrist Support, provides arm support for surgeon.

### X-Ray Accessories (option)

- X-ray Top.
- Lateral Cassette Holder\*\*

### Optional Accessories for Orthopedic-TED-07

- Removable Orthopedic Extension Device (TED-07) with Accessories and Cart for 5600S/SK only .
- TED-07 Extension Device Support Poles.
- TED-07 Leg Plate (Left)
- TED-07 Leg Plate (Right)
- TED-07 Clamp for Leg Plate (Left)
- TED-07 Clamp for Leg Plate (Right)

### Optional Accessories for Orthopedic

- Removable Orthopedic Telescopic Traction Device with Accessories and Cart for 5600S/SK only.
- Knee Positioning Device\*
- Meniscus Positioning Device\*
- Condyle Fixation for Tibia and Fibula\*
- Traction Stirrup Clamp with Rotation.

### General Accessories (option)

- anesthesia Screen Frame\*\*
- Anesthesia Screen Frame (Adjustable)\*\*
- Side Rail Clamp, works with all rod-type accessories, such as chest and waist supports, shoulder supports, foot r knee rest, and lateral cassette holder.
- Side Rail Lock, works with all bar-type accessories, such as chest and waist supports, should supports, foot rest, knee rests, and lateral cassette holder.
- Instrument Tray\*, with 530 x 325 x 60mm stainless steel tray, 2 flexible joints, and height adjustment rod.
- Patient Transfer Device, for transferring patient from stretchers to surgical tables or similar applications.
- Restraint Strap

### Table Control Accessories (option)

- Foot Control, for 5600S
- Hand Control Bracket
- Auxiliary Control, provides all basic functions at any time as a secondary control capability during any emergency

\* One Side Rail Clamp required.

\*\* One Side Rail Lock required.

\*\*\* Two Side Rail Locks required.

## BenQ Medical Technology Corp.

### Headquarter

7FL 46 Zhou-z St., Neihu Dist.,  
Taipei 11493, Taiwan

### Factory

3F, No. 159, Shan-Ying Road, Gueishan Hsiang,  
Taoyuan County 333, Taiwan, R.O.C.

No.7,7-I, Kung 5th Rd., Kung 2nd Industrial Zone,  
Linkou Dist., New Taipei City, Taiwan

Tel +886-2-8797-5533

Fax +886-2-8797-5188

http://www.BenQMedicalTech.com

info@BenQMedicalTech.com



Catalog No. : 5600-V1306, Copyright by BenQ Medical Technology Corp.



Universal

# Electrical Surgical Tables

NOT-5600 Series





# GENERAL CONSTRUCTION FEATURES

NOT-5600 surgical table series is designed to effectively position patients, facilitate easy access and control for either surgical team or C-Arm, and ensure patient safety and comfort. To satisfy your needs for productivity, ease of use, ease of maintenance, and long-term reliability and durability, these new models are created to fulfill this mission at the most attractive price-to-performance ratio.

## X-Ray Top (optional)

Using X-Ray top allows for inserting X-Ray film cassettes from the head, foot or either side for a full range (from head to foot) of exposure angles.

## Removable and Split Leg Plates

Allows vertical or horizontal positioning adjustable.

## Hand Control

Smoothly and precisely achieves desired positions.

## Exclusive Column Head

Desired Trendelenburg and lateral tilt positioning can be effectively achieved.

## Power Control Panel



## T-Shaped Table Base

Facilitates easy surgical team access and table stability.

## Powered Tabletop Longitudinal Slide

Tabletop with 300mm of longitudinal sliding displacement and streamlined radiolucent tabletop provide easy C-Arm access and complete patient's full body Image Amplification coverage without moving the patient. (5600S/SK/SKF only)

## Central Floor Locking Mechanism

Easily and firmly fix table in place with control of foot pedal.

## Easy Swivel Casters

Provide good mobility.

## Foot Control (optional)





# NOT-5600 SERIES

The surgical tables are designed to achieve multiple purpose function. Electrical hydraulically powered functions operated via hand control, optional foot control, or optional auxiliary control. Tabletop frame is made of cast aluminum with wear-proof. Base and column shrouds are made of stainless steel to provide impact, breakage, resistant and disinfectant.



Tabletop slide with 300mm superior C-arm X-Ray coverage without moving the patient

## 5600 Surgical Table Series Consist of :

- Head rest — can be raised, lowered, and removed manually.
- Back plate — can be raised and lowered electro-hydraulically.
- Kidney bridge — can be raised and lowered manually. ("K" model only)
- Seat plate — controls tabletop Trendelenburg, reverse Trendelenburg, and lateral tilt.
- Leg plates — can be raised, lowered, horizontal positioned, and removed manually.
- Orthopedic Extension device — double joints to achieve optimal positioning.
- Leg section — 2 options, one-piece or two piece (split) design, fold-able and detachable via gas spring.

The table top functions are Electro-Hydraulic controlled by using hand control, optional foot control or optional auxiliary. Radiotranslucent tabletop with longitudinal slide capability provides superior C-Arm X-Ray coverage without moving the patient.

### 5600

- Is a basic model to offer good versatility in the general and major surgical procedures.

### 5600S

- Is equipped with 300mm of tabletop longitudinal slide to provide optimal C-Arm X-Ray accessibility and full-body fluoroscopic procedures.

### 5600SK

- Is equipped with tabletop slide and built-in kidney bridge.

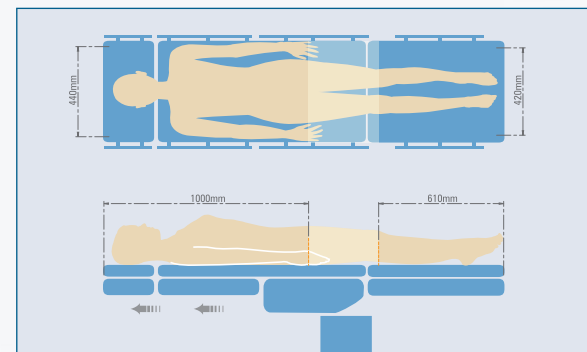
### 5600S+TED-07

- Is equipped with tabletop slide and removable extension device to perform general, major, and orthopedic surgical procedures in open and closed nailing, total hip replacement, hip pinning, A.O. technique, and tibia and fibula surgery.

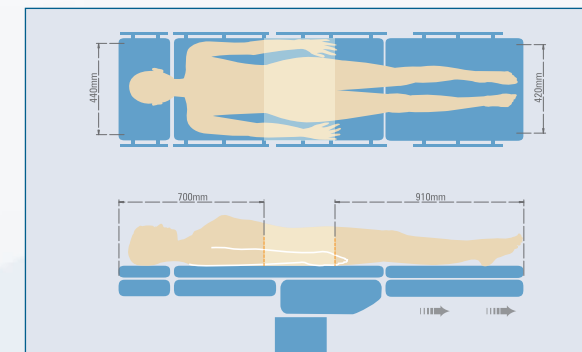
### 5600SK+TED-07

- Is equipped with tabletop slide, built-in kidney bridge, and extension device.

## RADIOGRAPHIC COVERAGE

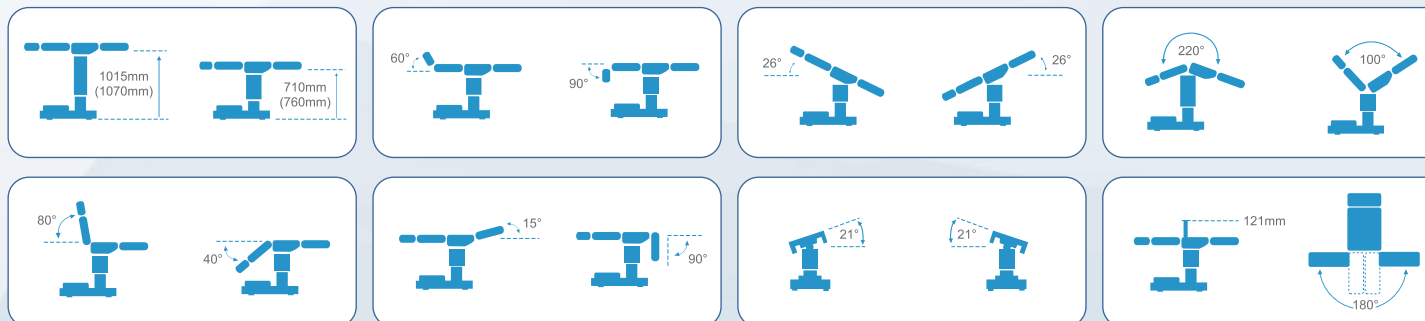


Slide Toward Head-End 180mm



Slide Toward Foot-End 120mm

## VERSATILITY



# NOT-5600 series in Various Surgical Procedures



### General Surgery

Split leg plates for either vertical or horizontal positioning.

Recommended Accessories :

- Arm Board x 2
- Restraint Strap x 1



### Chest /Abdominal Surgery

Thoracic surgery with the extension plate to position the patient chest.

- Recommended Accessories :
- Arm Board x 2
  - Restraint Strap x 1
  - Knee Rest x1
  - Extension Plate x 1



**Built-in Kidney Bridge** is radiolucent and designed for flexibility in kidney position or Thorax surgery. ("K" model only)

### Kidney / Gall Bladder Surgery

Thoracic, Kidney, and Gall Bladder surgical positioning in the lateral position with Head Should & Arm Rest and Raised Arm Rest, Manual Kidney.

Recommended Accessories :

- Arm Board x 1
- Raised Arm Rest x 1
- Restraint Strap x 1
- Knee Rest x 1
- Head, Shoulder & Arm Rest for Lateral Positioning x 1





# ADJUSTMENT THROUGH CONTROLS

## Ophthalmological and Facial / Plastic Surgery

The lower table height provides the excellent access for the surgeon. The wrist support of the narrow headrest provides the arm stability for ophthalmic and plastic surgery.

Recommended Accessories :

- Arm Board x 2
- Restraint Strap x 1
- Head Rest with Wrist Support x 1



## Urology

The combination of tabletop slide and Leg Crutches maximize access to the perineal area in OB/GYN, Urology, and Cystoscopy procedures.

Recommended Accessories :

- Arm Board x 2
- Leg Crutch x 2
- Urology Drain Tray x 1
- Contamination Bucket x 1



## Lithotomy bladder Surgery

configuration of perineal cutout, lithotomy legholders and leg section, provides excellent gynecology and abdominal surgical access.

Recommended Accessories :

- Arm Board x 2
- Lithotomy Holder x 2



The hand control with film keypad has the internationally recognized symbol buttons to allow single handed use and convenient programmed functions such as flex and reflex.

To maximize operation safety for surgical team and/or patient, the hand control and the control boards use low working voltage in operation.

Optional foot control and auxiliary control are the additional control choices for surgeons to facilitate safety and convenience during surgical procedures.



## Rectal Surgery

Rectal positions with Knee Rest and Rectal Positioning Support to support the patient in a kneeling position.

Recommended Accessories :

- Arm Board x 2
- Restraint Strap x 1
- Rectal Positioning Support x 1
- Knee Rest x 1



## E.N.T. Surgery

Semi-recumbent patient or chair positions for head-neck, ENT surgery procedures, like Tonsillectomy, Cuff Repair, etc.

## Cardiovascular

Excellent upper body visualization is greatly improved by using tabletop longitudinal slide, maximum tabletop height 1,186mm (46.7" , w/o pad), and collocation with optional Extension Plate 250mm(9.8" ).

That is possible procedures in Pacers, Groshong Catheter, Hickman Catheter, Mediport Insertion, Vascular Applications, Fem/Pop Bypass, Femoral Angiograms, Femoral Endarterectomies, pain management.

Recommended Accessories :

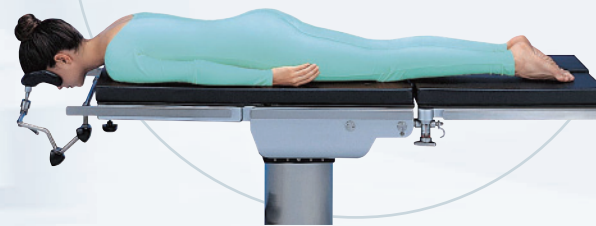
- Arm Board x 2
- Restraint Strap x 1
- Extension Plate x 1

## Neurosurgery / Craniotomy

Patient in the prone position with U-Type Head Rest.

Recommended Accessories :

- General Purpose U-type Head Rest x 1



## Total Shoulder / Arthroscopy Surgery

- Easily removed large cut-out back rest for excellent surgical access.
- The two side sections in this three-part plate can be removed.
- Head support provides excellent fixation for head and neck.
- Head support is height-adjustable to fit different height patient.

Recommended Accessories :

- Raised Arm Rest x 1
- Restraint Strap x 1
- Lateral Support x 1
- Shoulder Surgery Attachment x 1



## TED-07 Orthopedic / Traumatological Extension Device

### Traumatological Surgery

The Traction device can be rapidly equipped for traumatological surgery. The orthopedic-traumatological seat plate can be effortlessly attached after removal of the leg plate from the seat plate spars. The load-bearing elements of this seat plate are at the centre. As a result, in the area of the hips an excellent Mobile X-Ray and C-Arm X-Ray access is achieved. The C-Arm X-Ray amplifier can also be used without restrictions in the case of extensions, the optional support poles can be attached for stability.

### Orthopedic Surgery

Here the same seat plate is utilized as for traumatological surgery. In place of the traction bars, orthopedic leg plates (option) are attached. The triangular shape of the seat plate makes an optimal wound opening possible and provides an excellent access to the operating field.

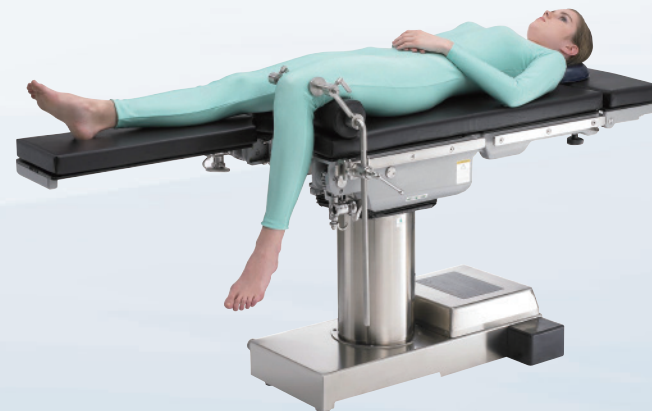


## Spinal Surgery

Patient in the prone position permits unrestricted access for the C-arm in orthograde X-ray examinations of the affected vertebrae.

Recommended Accessories :

- Arm Board x 2
- Prone Positioner x 1



## Knee Arthroscopy Surgery

Leg in hanging position with leg holder for arthroscopy of orthopedic surgery.

Recommended Accessories :

- Arm Board x 2
- Restraint Strap x 1
- Condyle Fixation for and Fibula x 1